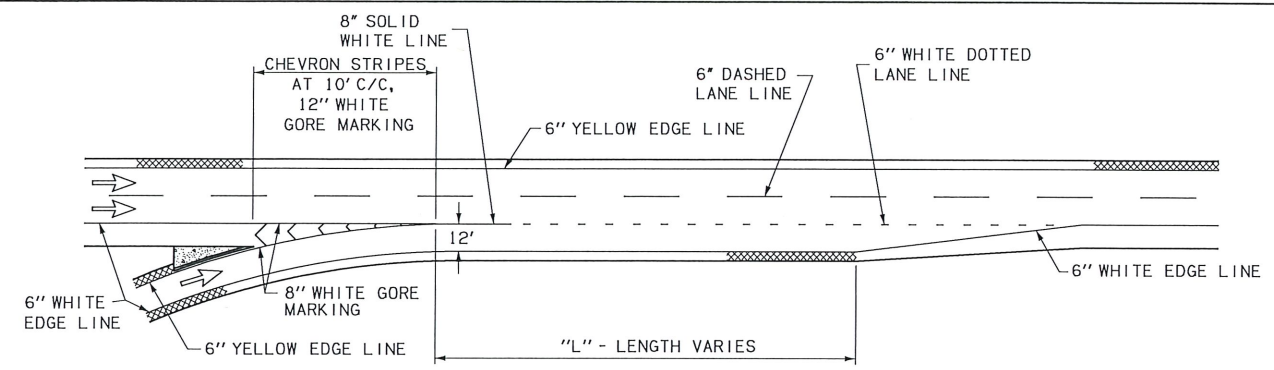
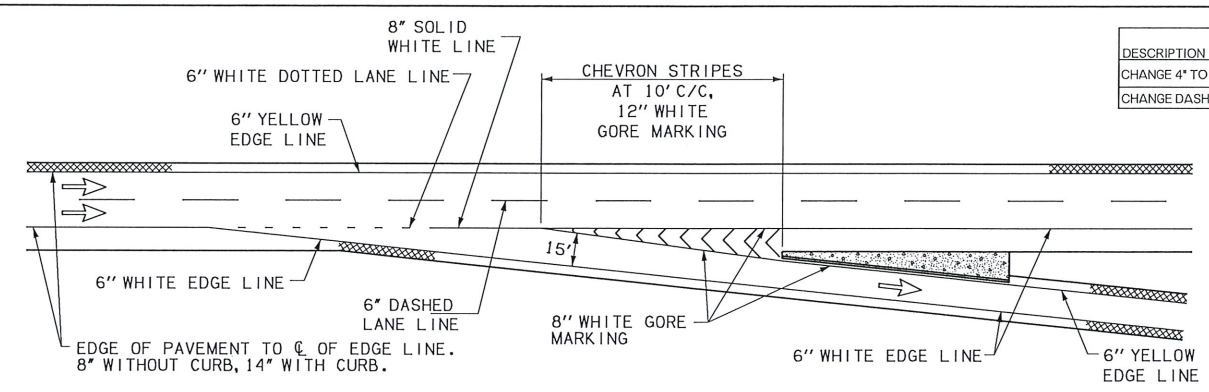


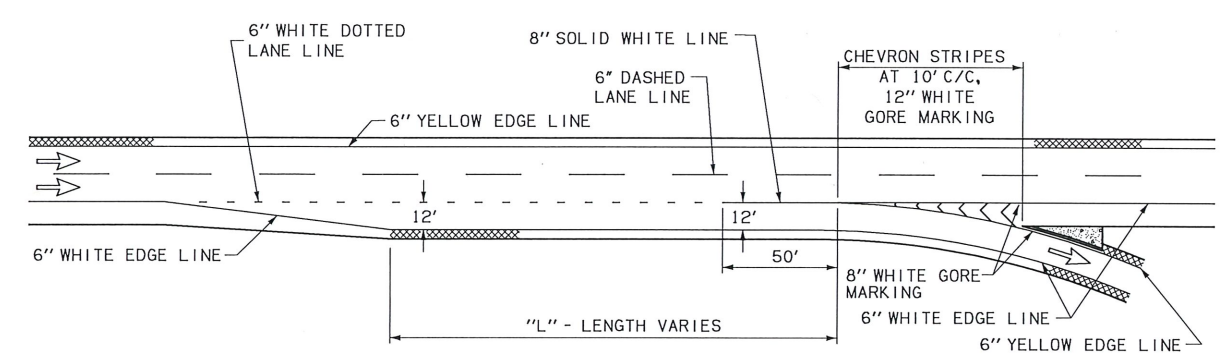
DESCRIPTION	REVISIONS	DATE
CHANGE 4" TO 6" STRIPE		4/10/2012
CHANGE DASHED & DOTTED LINE DIMENSION		7/25/2019



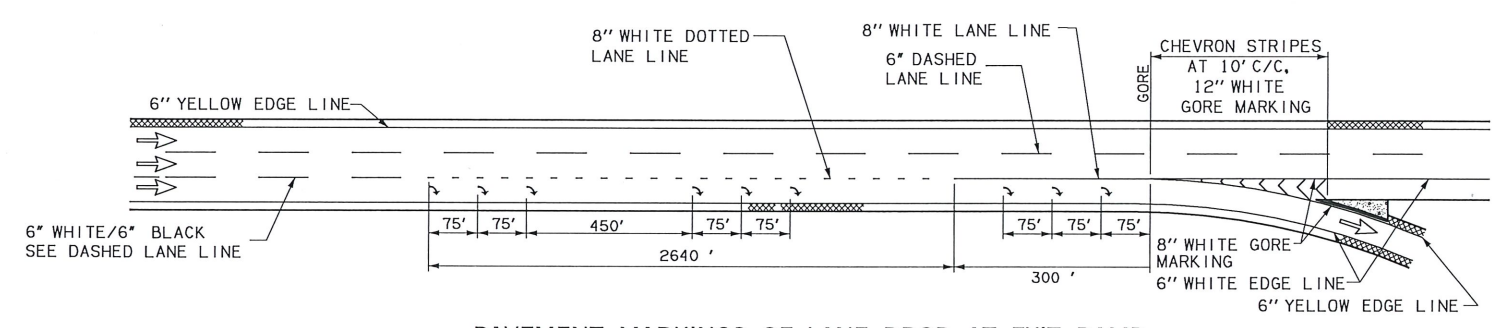
PAVEMENT MARKINGS OF PARALLEL ACCELERATION LANE



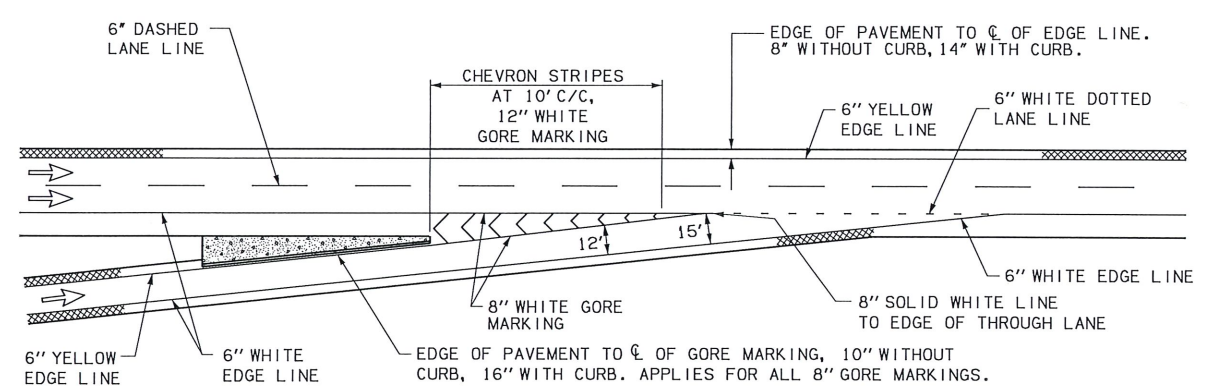
PAVEMENT MARKINGS OF TAPERED DECELERATION LANE



PAVEMENT MARKINGS OF PARALLEL DECELERATION LANE

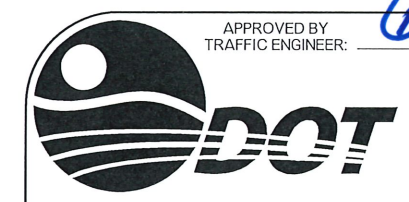
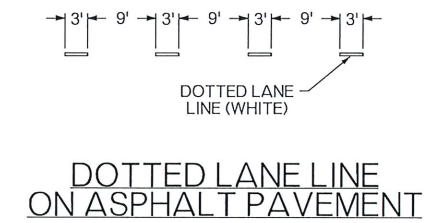
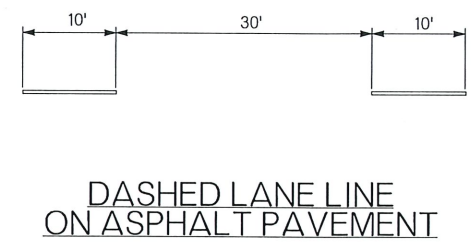
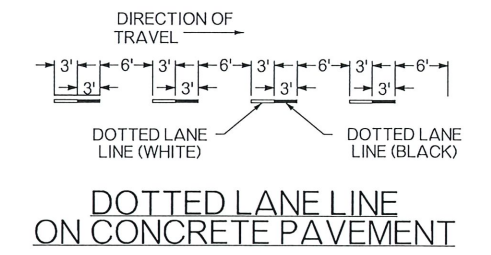
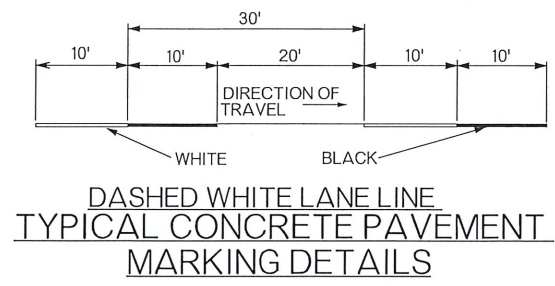


PAVEMENT MARKINGS OF LANE DROP AT EXIT RAMP



PAVEMENT MARKINGS OF TAPERED ACCELERATION LANE

BASIS OF PAYMENT		
ITEM NO.	ITEM	UNIT
854(B)	TRAFFIC STRIPE (PAINT) (ARROW, WORDS, OR SYMBOLS)	EA
855(A)	TRAFFIC STRIPE (PLASTIC) (6" WIDE)	LF
855(A)	TRAFFIC STRIPE (PLASTIC) (8" WIDE)	LF
855(A)	TRAFFIC STRIPE (PLASTIC) (12" WIDE)	LF
855(A)	TRAFFIC STRIPE (PLASTIC) (24" WIDE)	LF
855(B)	TRAFFIC STRIPE (PLASTIC) (ARROW)	EA
856(A)	TRAFFIC STRIPE (MULTI-POLYMER) (6" WIDE)	LF
856(A)	TRAFFIC STRIPE (MULTI-POLYMER) (8" WIDE)	LF
856(A)	TRAFFIC STRIPE (MULTI-POLYMER) (12" WIDE)	LF
856(A)	TRAFFIC STRIPE (MULTI-POLYMER) (24" WIDE)	LF
856(B)	TRAFFIC STRIPE (MULTI-POLYMER) (SYMBOLS, WORDS, ETC)	EA



APPROVED BY
TRAFFIC ENGINEER: *[Signature]* DATE: 7/31/19
TRAFFIC STANDARD

PAVEMENT MARKING
(INTERCHANGE)